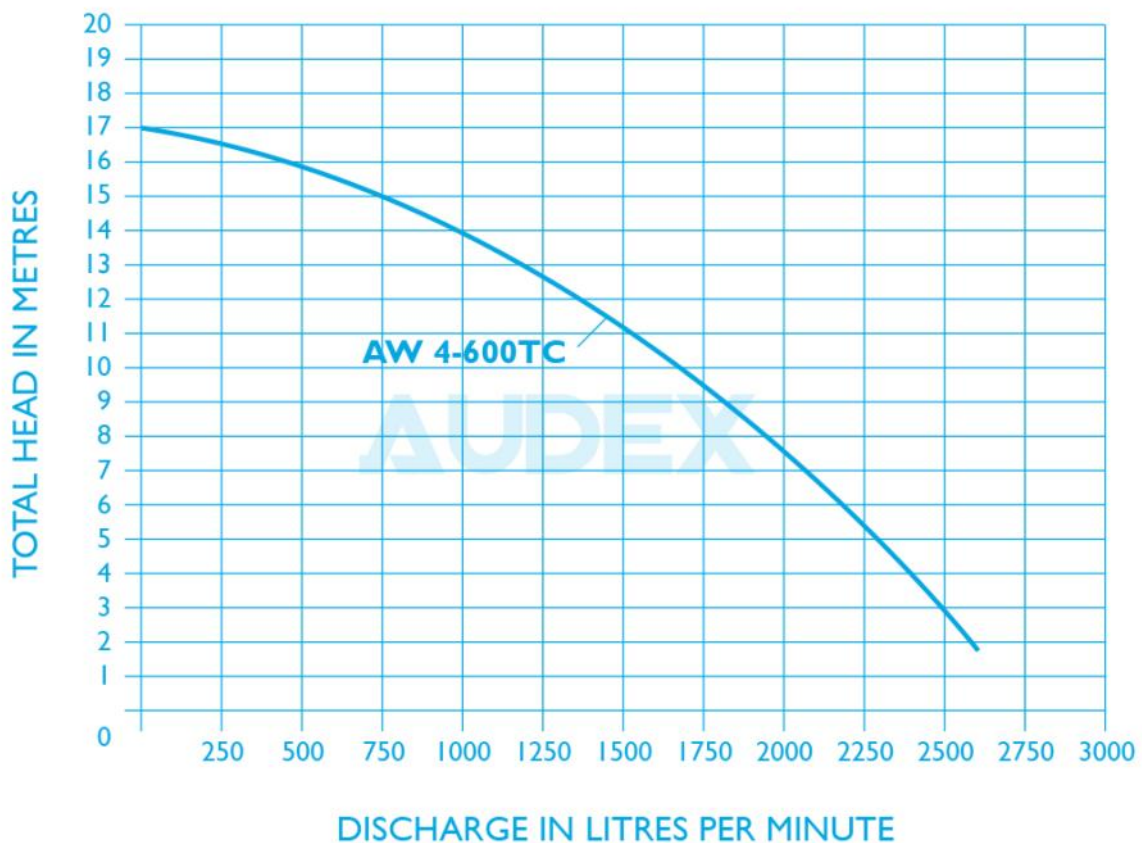




### AUDEX AW 4-600 TC 4" Submersible Dewatering Pump

- Submersible slurry pump with a 4-pole motor for an increased lifetime and greater convenience.
- High chrome alloy impeller combined with agitator for pumping heavy slurry.
- Slim design with a top discharge enabling installation in smaller casing.
- For bentonite mixed water in foundation works or muddy water in civil engineering works.
- Discharge: 100mm (4") Motor 6kW (8HP)

Audex are respected manufacturers of industrial submersible and vac-prime self-priming dewatering pumps. Our pumps have been specifically developed for use in the toughest and most abrasive of applications and environments. Trusted by operators of quarries, mines and recycling facilities, Audex pumps represent quality and reliability giving you superior performance and reduced downtime. Pumps that suit your application better because they have been designed with your industry in mind.



**Audex - Designed with your industry in mind**

**NOTE** This information is for guidance / reference only.

For application specific drawings and curves, please contact your nearest authorised distributor at [audexpumps.com](http://audexpumps.com) 06.04.18

## AUDEX AW 4-600 TC

### Specification

Capacity: up to 150m<sup>3</sup>/hr  
 Head: up to 16.9m  
 Discharge: 100mm (4")  
 Power: 6kW (8HP)  
 Power supply: three phase 380V±10%, 50Hz  
 Insulation class: F  
 Protection class: IP68  
 Cable length: 8m  
 Water temperature: up to 40°C  
 Max. water depth: 15m

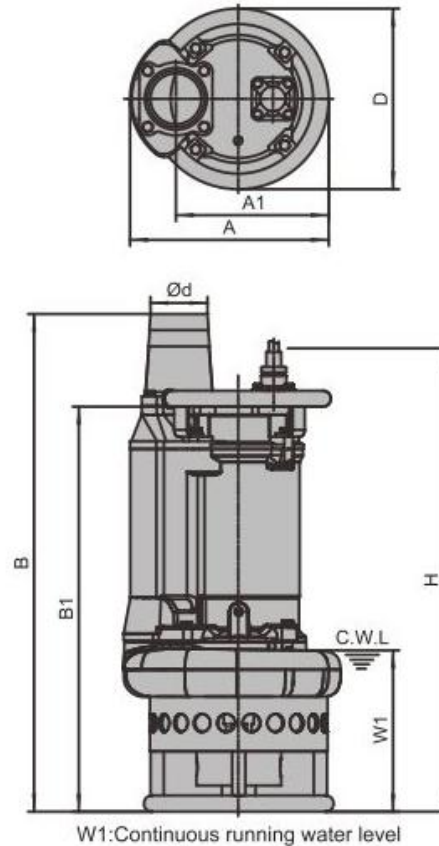
### Applications

Civil engineering  
 Mines, quarries, coal ore and slurries  
 Sewage treatment plants  
 General pumping purposes  
 Pumping fluid: sludge, liquids - containing mud and bentonite

### Special Features on Request

Other voltages  
 The length of cable is optional

### Dimensions



D	100mm
A	415mm
A1	305mm
B	844mm
B1	682mm
D	373mm
H	730mm
W1	250mm
N.W	141Kg
G.W	151Kg

Packing dimension  
 470 x 410 x 985mm

## Audex - Designed with your industry in mind

**NOTE** This information is for guidance / reference only.

For application specific drawings and curves, please contact your nearest authorised distributor at [audexpumps.com](http://audexpumps.com) 06.04.18