

# SLURRYPRO<sup>®</sup>

A BETTER SLURRY PUMP EXPERIENCE





## Providing pump solutions to industry, globally

Intrax is a global leader in specialist pumping equipment for difficult and challenging industrial applications. We are best known for excellence in bringing innovative and cost-saving ideas to our customers as well as offering unrivalled levels of customer service and response times.

Our combined wealth of experience and technical know-how in highly sophisticated applications allows us to work closely with engineering teams on large-scale projects across the globe firmly establishing us as their trusted partner.



## SLURRYPRO® is part of the Intrax Group

### Expertise

Intrax tackles aggressive and abrasive pumping challenges that conventional pump manufacturers shy away from. An in-depth cross organizational knowledge of aggressive fluid handling and an association with leading polymer developers and foundries globally provides a level of expertise disproportionate to the individual companies and brands.

### Understanding

The Intrax companies and brands have truly evolved to relieve customer pain points and hence bring a refreshingly different approach to the rigid stance often taken by market incumbents. Intrax products have also evolved intelligently, influenced by individual customer's demands, and this progress is on-going.

### Energy

Our partners often comment on the energy and motivation within our companies and how enjoyable it makes their interactions with us. We think that this is because of the ethos of our brilliant, highly-trained workforce who have been recruited to deliver cutting-edge solutions without the prejudices of a lifetime of offering conventional and often outdated technology.

### Innovation

A relentless drive to improve on the status quo of high value pump installations. Intrax has a culture of market disruption bringing value to customers, ranging from small, yet significant, product modifications which address regional challenges, to in-depth R&D and new product designs.



# SLURRYPRO<sup>®</sup>

## SlurryPro originated from a firm belief that your slurry pump experience could and should be better

In response to industry feedback and frustration with service and response times, SlurryPro has introduced a customer-centric focus and revolutionized the end user experience.

The core management team bring years of experience from the Australian and South American mining industry. This tough and unforgiving environment was the perfect birth place for a range of pumps focusing on superior wear life and reduced lifetime costs. We focus on the vital need to reduce downtime in our key markets of mining, chemicals and mineral processing.

Our range includes horizontal and vertical centrifugal slurry pumps, all designed for use in the heaviest duty applications such as mill discharge, process plant and tailings applications. They are also widely used in sand washing and recycling applications, as well as specialist areas such as difficult food washing and other abrasive processes.

We understand that reducing downtime relies on rapid and cost effective parts availability. With this in mind, we have invested heavily in stock within our distribution companies, leading to the fastest quoting and delivery times in the industry.

In short, if you're looking for a better slurry pump experience, including superior wear life, reduced lifetime cost and ease of ongoing maintenance there is quite simply no alternative to SlurryPro.

## Silver Series

### Upgrade with interchangeable technology

The SlurryPro Silver Series is a heavy duty, proven range of horizontal and vertical slurry pumps in a wide range of sizes, available with both high chrome and different grades of rubber wearing parts. The SlurryPro Silver Series pump and spares range allows you to continue using your current pump and pipe work configuration.

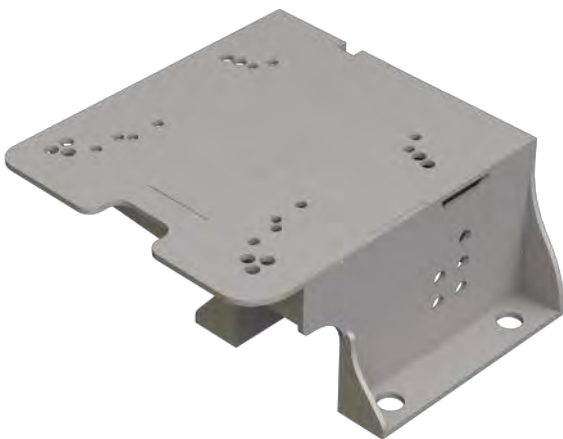
# A BETTER SLURRY PUMP EXPERIENCE

SlurryPro's passion for improving wear life and customer experience is greatly demonstrated in the design of the new built-up SlurryPro pumps.

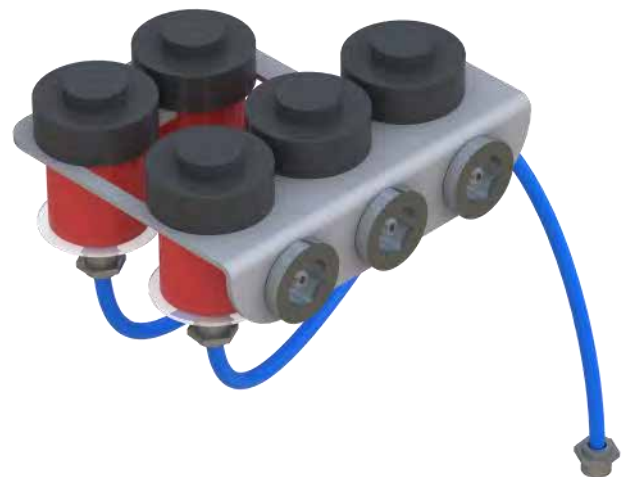
Design improvements and increased safety features have been at the forefront of our engineers thinking. The new build-up is lighter than the previous version yet just as robust and with no change to the overall integrity of the base. A lighter construction has been achieved by a change in the building methods used.

The introduction of modular design and the improvements in the way SlurryPro is designed and manufactured means that assembly time is also greatly reduced, thus reducing lead time. While bespoke designs can take time, we also now have a library of designs in place which allows us to begin manufacturing a new build-up quicker than ever before.

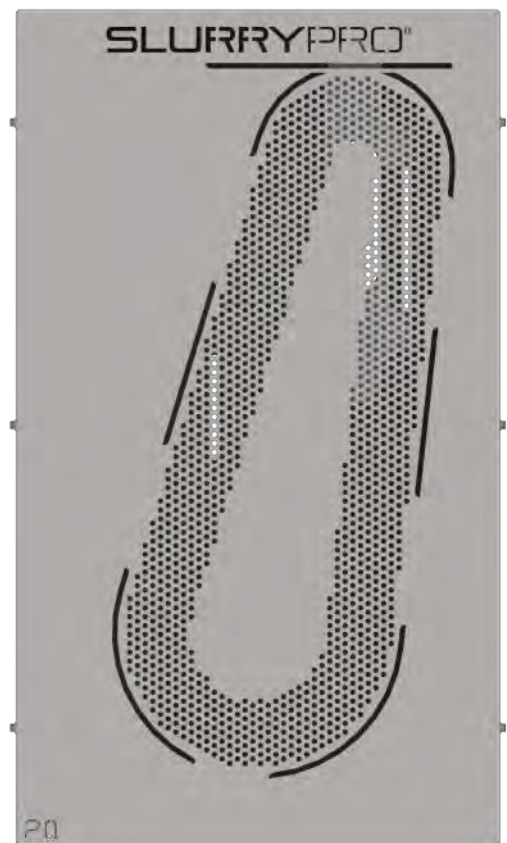
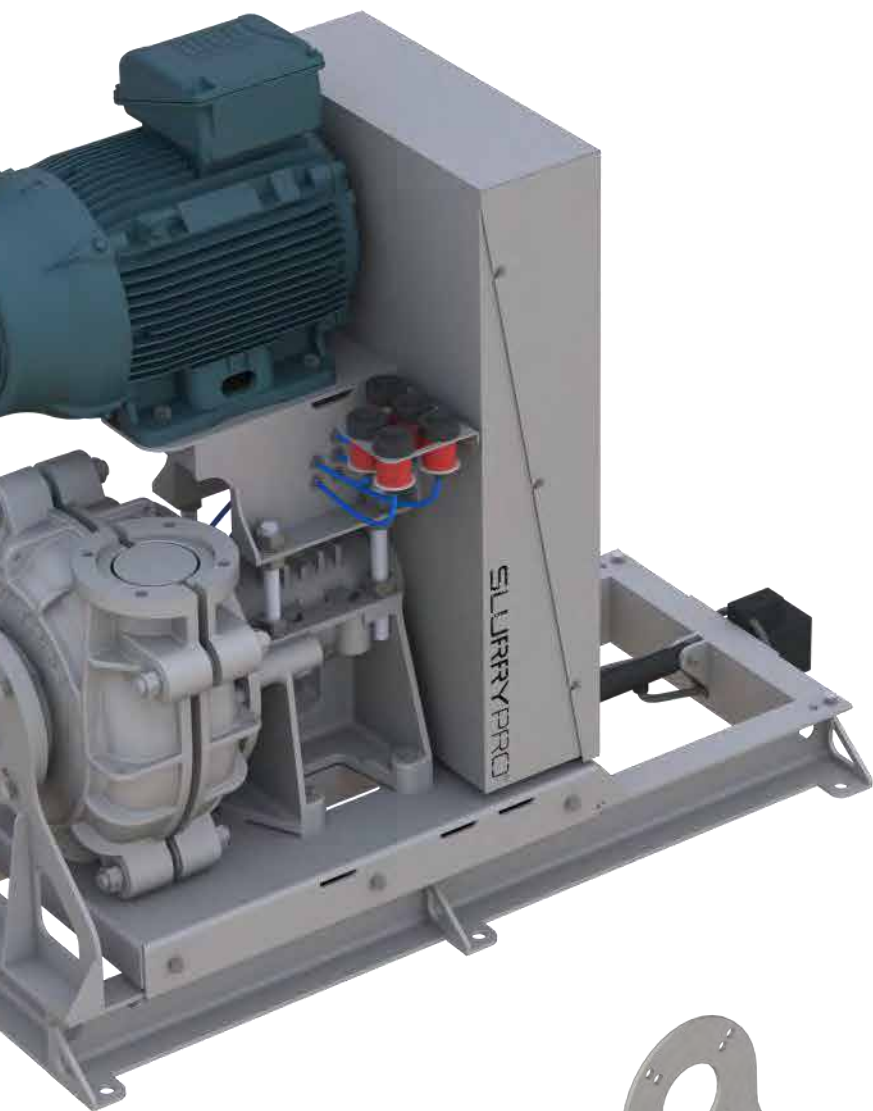
Find out more about the key features of the built-up SlurryPro over the page.



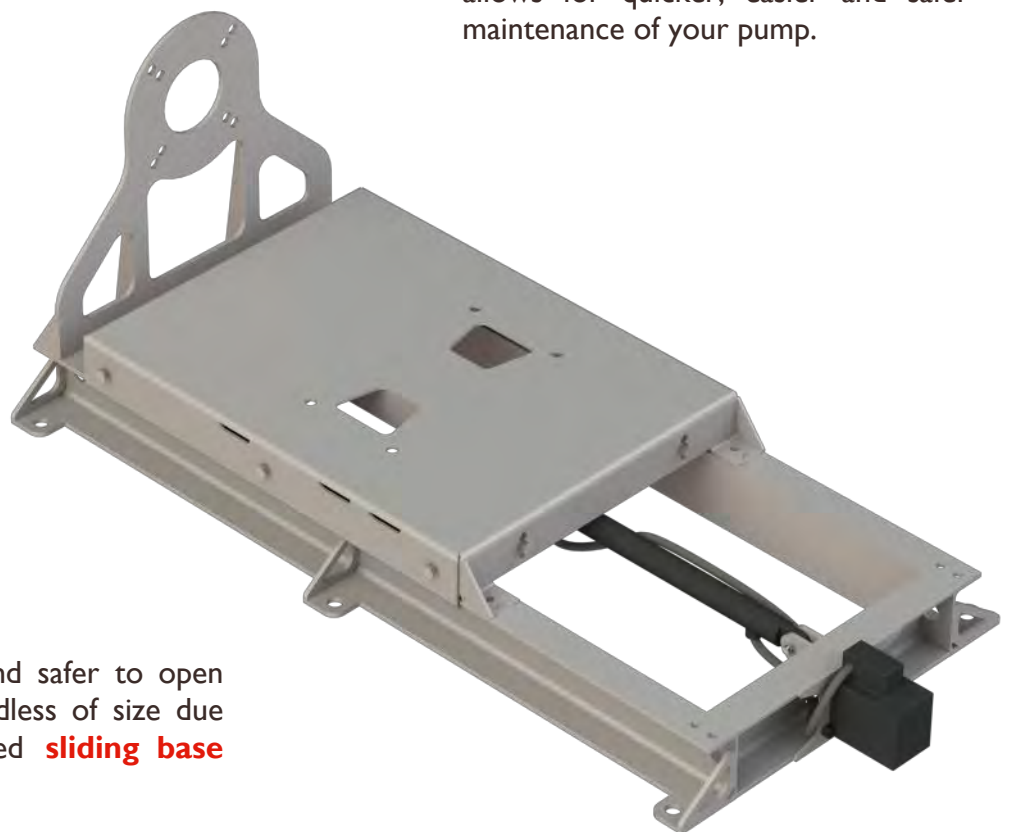
The **universal motor mount** has been designed to accommodate many motor sizes.



The introduction of **automatic greasers** guarantees regular lubrication of your pump and therefore reduces downtime. Further benefits include extended asset life and improved health and safety.



A lightweight perforated **belt guard** allows for quicker, easier and safer maintenance of your pump.



It's now even easier and safer to open and close pumps regardless of size due to the award-nominated **sliding base with hydraulic ram**



## SlurryPro Automatic Greaser

Did you know that one of the most common reasons for pump failure is due to lack of regular lubrication?

All new SlurryPro built-up pumps include provision for an automatic greasing system as standard. Once fitted, this ensures consistent reliable lubrication of the bearings and seals for maximum service life. Manual greasing leads to both over and under greasing due to inconsistent or infrequent application. Over greasing leads to overheating, waste, pollution and premature

failure. Under greasing leads to wear, premature repairs and high repair costs.

SlurryPro Automatic Greaser pots are available individually and as part of a kit. The kit includes a bracket which can hold up to five pots of grease. Thanks to the bracket's powerful magnetism fitting it to the pump is a quick and simple procedure with no requirement for screws or tools.

## Static & Sliding Bases (with Hydraulic Ram)

While our new built-up SlurryPro pumps come with a static base, there is also the option to upgrade to a sliding base (shown below). Nominated at the 2018 MPA awards, the



sliding base has been further improved by the inclusion of a hydraulic ram meaning we can now fit the sliding base to larger pump sizes.

The introduction of hydraulic ram also means it's now even easier and safer to open and close pumps regardless of size. The pump can slide open and be closed by just one person, and the need for lifting equipment is reduced. Significant savings can be made to the costs and time associated with servicing and maintenance.

If you have multiple SlurryPro pumps on your site, these can all be made suitable for using the hydraulic ram, but as it is moveable you do not necessarily need to buy a ram for each pump.



## Universal Motor Mount



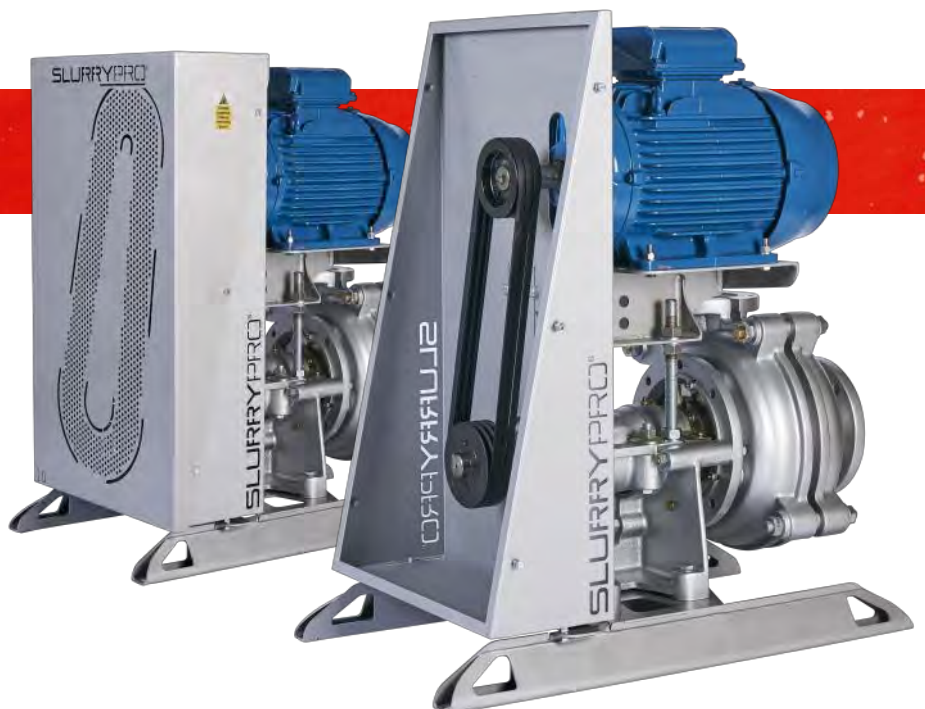
Our new motor mount has been designed to accommodate many motor sizes, which means a different sized motor can be put on the pump without any further engineering. This also speeds up the manufacturing process as pumps can be prepared in advance of confirmation of the final specification. This additionally allows for changes to the pump at a later date with minimum disruption.

## Belt Guard

The health and safety of the user is always at the forefront of our thinking.

The new upgraded design includes an increased number of features such as the perforated belt guard. This can be removed by simply loosening six bolts and lifting the guard off allowing the user quick and easy access.

The build is also fully compliant with guarding regulations.





## FPT Drain Plug

**Do you have issues with losing time to frozen slurry pumps in the morning or draining them in the evening? Introducing the SlurryPro FPT Drain Plug - enhanced reliability for slurry pumps in all weathers.**

In the colder months, any water left in a slurry pump overnight can cause serious problems. As the temperature drops below zero this water will freeze, stopping the pump from operating in the morning, and potentially damaging your pump or pipework. Traditional methods of preventing this include:

- Installing a heated jacket – effective, but expensive to purchase and run
- Waiting for the pump to thaw in the morning - losing valuable production time
- Opening the casing to remove the water, a back-breaking and time-consuming chore

SlurryPro originated from a firm belief that your slurry pump experience could and should be better. With this in mind, we have launched a solution to this problem - the FPT Drain Plug.

Built for the rugged conditions found in the mining and quarrying industry, the FPT eliminates pump downtime due to cold weather conditions. It can be supplied fitted in new pumps, and can also be retrofitted to an existing slurry pump. It is available for all sizes of the SlurryPro horizontal pump range.

Once fitted, a couple of minutes to release the plug is all that is needed on a cold evening to ensure the pump is free of water, ready to start operations straight away the next morning.

FPT stands for Freeze Prevention Technology, which reflects the detail SlurryPro have gone into to make this innovation work in the most rugged environments. The liners and flange have also been modified. Careful consideration has been given

to the design to ensure the performance and wear-life of the pump are entirely unaffected by the inclusion of the FPT.

“When we heard of sites losing two hours production in the morning due to freeze-ups, costing them £5,000 in lost production, we knew we needed to provide a solution” said Nathan Rowles, Sales Director at Atlantic Pumps, the company that produce SlurryPro. “We are pleased this innovation is now available to make our customers’ lives easier.”

A further benefit is that the absence of water eliminates the danger of the freeze-thaw process damaging your pump or pipework in the event of a serious freeze.





# SlurryPro Mechanical Seals

## Mechanical Seals are the most effective sealing arrangements for slurry pumps

A mechanical seal consists of two parts, one section is fixed to the shaft, the other fixed to the stationary pump housing. The interface of these two components is the mechanical seal. One of the sections will be fixed in place, while the other will be pushed up to it using a spring-loaded fixing. This allows a tiny amount of liquid, called the fluid film, to flow into the minute space between these two surfaces, creating a seal, but also providing the needed lubrication and cooling.

This liquid between the two faces of the seal can either come from the fluid being pumped or from an external source. There will be some leakage into the dry area of the pump, but as the gap is so small (as narrow as one micron) this will be virtually undetectable.

## SlurryPro Mechanical Seals

SlurryPro Mechanical Seals are available as both single and double seals and are designed to meet the arduous requirements of slurry applications. Large radial clearances and advanced multi-spring design give improved seal face loading and longer seal life. They are supplied as a complete cartridge to ensure they are delivered in pristine condition.

Slurrypro Mechanical Seals have been developed and are manufactured by a leading mechanical seal manufacturer. This means you have the confidence you are getting a pump designed for your industry, fitted with a seal from a trusted global mechanical seal manufacturer. A winning combination!

## Advantages of using mechanical seals

- Cost savings from the reduction in wear to pump parts
- A reduction in down-time because repairs and parts are needed less often
- A reduction in the liquid needed for cooling
- The prevention of any discernible leakage of the pumped liquid

The main disadvantage of mechanical seals is their much higher purchase price. However, this is offset by lower running costs and the elimination of any costs associated with leakage. Slurry pumps can be supplied fitted with mechanical seals, or they can easily be retro-fitted.





## Horizontal Silver Series

### Key Points

- A complete range of sizes are available across the full selection of pump types and
- Components come in a range of elastomer and hard metal types and material application, for maximum abrasion and corrosion resistance.
- The removable cartridge-type bearing assembly facilitates easy on-site procedures.
- A range of seal types are available to suit every requirement, including mechanical reduce gland sealing water

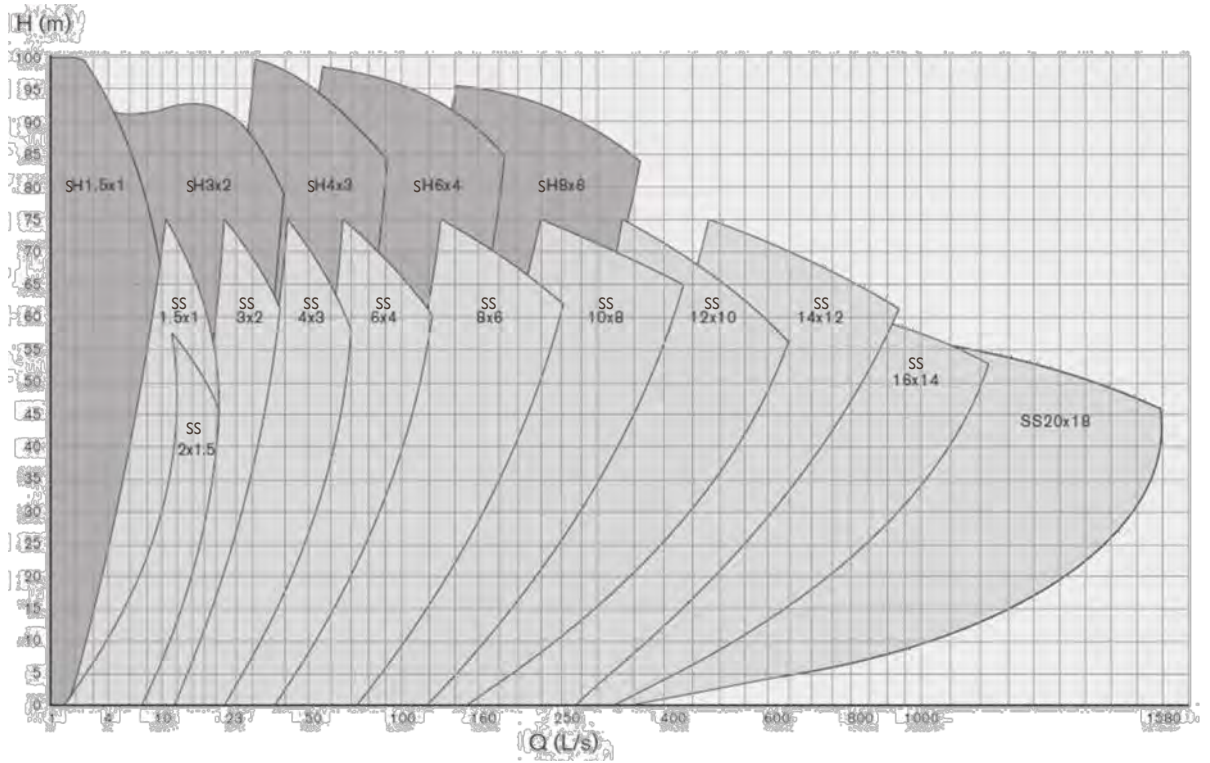
### Pump Curves

The selection chart should be used as a basic guide only. This chart indicates the quantity of flow available from pumps with standard impellers. It can also, however, obtain a preliminary pump selection providing the user is able to estimate the quantity to be pumped and the developed head required.

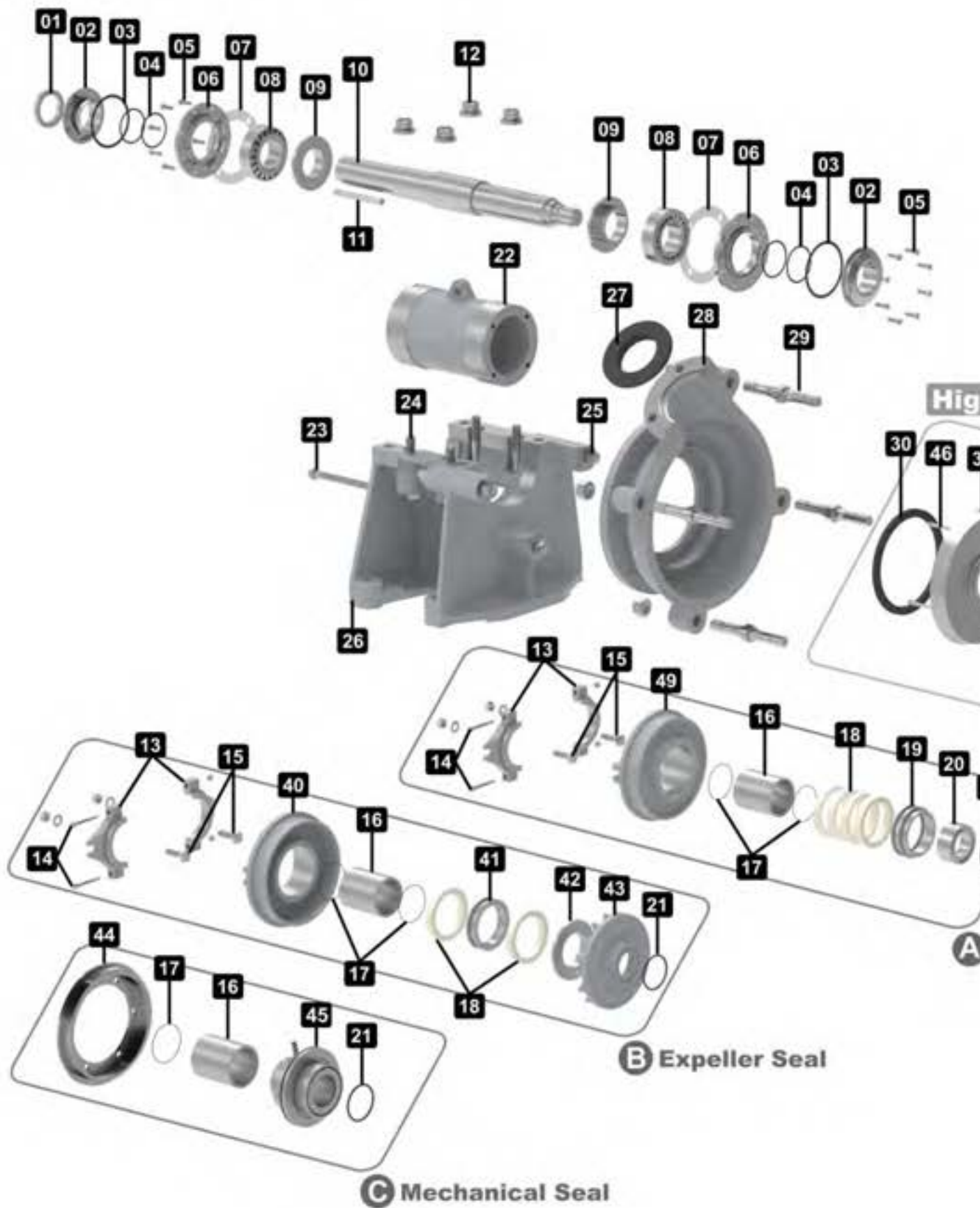


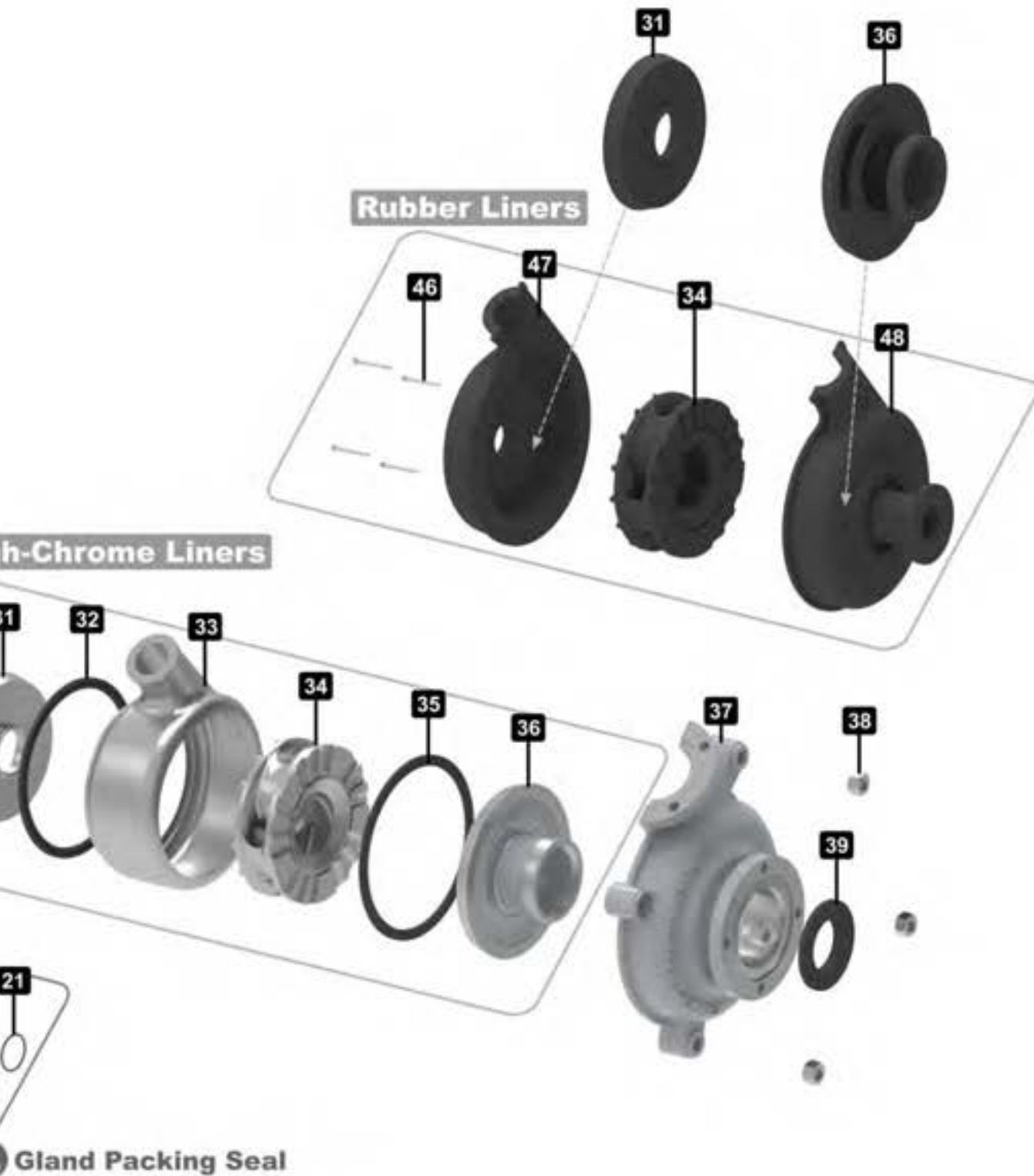
materials.  
 s to suit any  
 maintenance  
 shaft seals to

the range and  
 r, be used to  
 y of slurry to



# Horizontal Blow Apart Diagram





- |                         |                         |  |                                   |                       |
|-------------------------|-------------------------|--|-----------------------------------|-----------------------|
| 01. Labyrinth Lock Nut  | 13. Gland Assembly      | 25. Frame Plate Stud                     | 35. Volute Seal                   | 46. FPL Insert Stud   |
| 02. Labyrinth           | 14. Gland Clamp Bolt    | 26. Base                                 | 36. Throatbush                    | 47. Frame Plate Liner |
| 03. Bearing Seal        | 15. Gland Bolt          | 27. Discharge Joint                      | 37. Cover Plate                   | 48. Cover Plate Liner |
| 04. Piston Ring         | 16. Shaft Sleeve        | 28. Frame Plate                          | 38. Cover Plate Nut               | 49. Stuffing Box      |
| 05. End Cover Set Screw | 17. Shaft Sleeve O-ring | 29. Cover Plate Bolt                     | 39. Intake Joint                  |                       |
| 06. End Cover           | 18. Gland Packing       | 30. Stuffing Box /<br>Expeller Ring Seal | 40. Expeller Ring                 |                       |
| 07. Shim Set            | 19. Lantern Restrictor  | 31. Frame Plate Liner<br>Insert          | 41. Lantern Ring                  |                       |
| 08. Bearing             | 20. Shaft Spacer        | 32. Volute Seal                          | 42. Neck Ring                     |                       |
| 09. Grease Retainer     | 21. Impeller O-ring     | 33. Volute Liner                         | 43. Expeller                      |                       |
| 10. Shaft               | 22. Bearing Housing     | 34. Impeller                             | 44. Mechanical Seal Back<br>Plate |                       |
| 11. Shaft Key           | 23. Adjusting Screw     |  | 45. Mechanical Seal               |                       |
| 12. Clamp Nut           | 24. Clamp Bolt          |  |                                   |                       |



## Vertical Silver Series

### Key Points

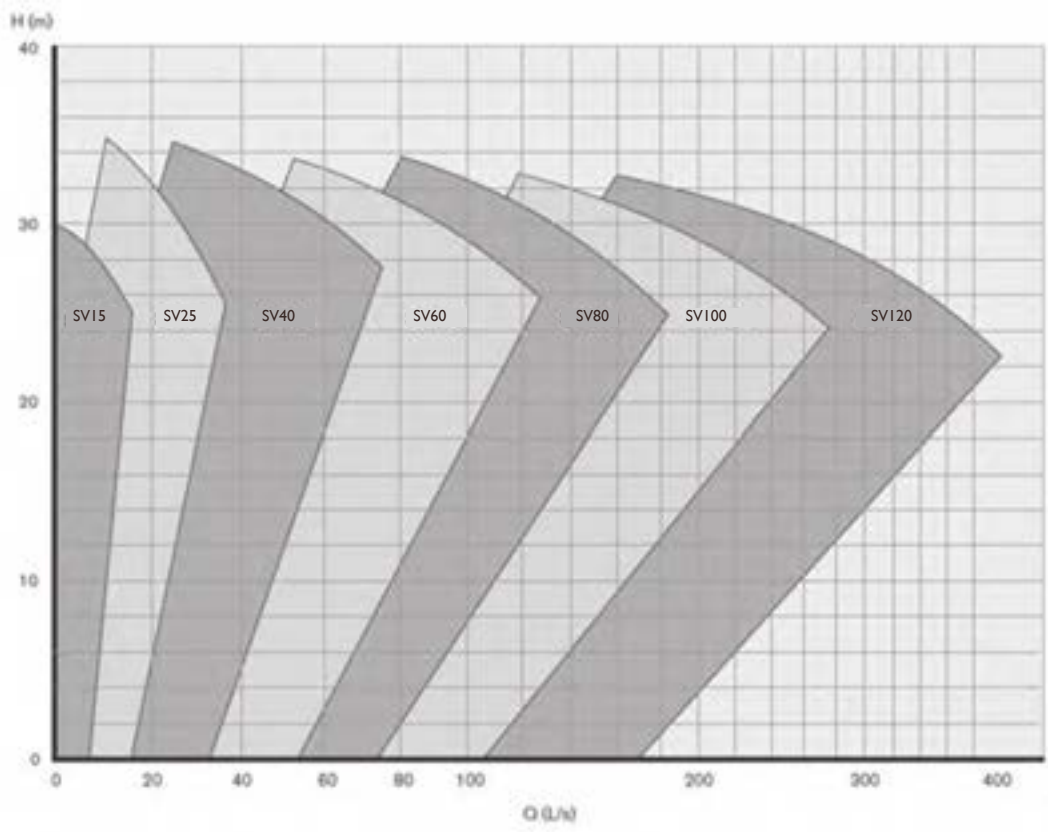
- This heavy duty range features a cantilever shaft design that eliminates any bearings
- An ideal pump for heavy slurry wash down and spill duties
- A full range of material options including complete elastomer lined pumps and corrosive and abrasive media duties
- Pumps in all sizes can be configured with a range of column lengths and impeller designs
- They are ideal for coarse particles and high concentrations of slag pulp and are widely used in mining and recycling industries

### Pump Curves

The selection chart opposite should be used as a basic guide only. This chart indicates the flow available from pumps with standard impellers. It can also, however, be used to select a pump providing the user is able to estimate the quantity of slurry to be pumped and the head required.



s or seals in the fluid end  
 d hard metal options for  
 designs  
 dely used in the quarrying,  
 s the range and quantity of  
 obtain a preliminary pump  
 d and the developed head



# CEMEX Angerstein Wharf, London



Slurry pumps are mostly large in size and notoriously difficult when it comes to undertaking maintenance and repair. It is a task that usually requires more than one person, the use of lifting aids and one that poses the danger of possible injury to those undertaking the operation.

The SlurryPro Sliding Base allows a site to undertake safer and easier inspection and maintenance of a centrifugal slurry pump.

An ideal solution for where space is limited, the base greatly reduces the need for much manual handling thus reducing health and safety concerns. Additionally the SlurryPro Sliding Base helps reduce site downtime and increase the amount of saleable output produced by a site.

One site that has benefitted from the installation of a SlurryPro Sliding Base is Angerstein Wharf near London, which is operated by the CEMEX company.

Although Angerstein Wharf has an impressive safety record, the site installed the base to reduce the risk of accidents on site. As the site strives for zero harm policy, the base reduces the amount of manual handling for CEMEX employees thus reducing the risk of accidents and Musculoskeletal Disorders (MSDs), which impact on so many people's lives both in and outside of work.

MSDs are the most commonly reported cause of occupational ill health in the UK. A third of all work related sickness/absence reported to the HSE is due to MSDs – with over ½ million workers reported to have suffered during 2016/17.

Angerstein have been using a SlurryPro Sliding Base in conjunction with their Warman 6x4 slurry pump since mid-2017 and the addition of the base has been a revelation.

In the case of CEMEX Angerstein Wharf, the mains water pump used to take one day to strip, replace and rebuild. The process contained high risk manual handling of the heavy pump casing and a full day's downtime. Using the SlurryPro Sliding Base instead of a fixed base has eliminated high risk manual handling and reduced downtime by 50%.

This reduction in downtime is due to only having to unbolt the four casing bolts to slide the wet end and motor apart to expose wear parts. The suction pipe doesn't need to be removed and replaced and the pump casings stay connected to the frame eliminating high risk manual handling and therefore reducing the risk of hand injuries.

A lot of health and safety products mean more expense for a site, however the SlurryPro Sliding Base is a health and safety feature that also optimises production, with considerable savings. By reducing the downtime by half, the plant can produce nearly £30,000 more of saleable material.

**“ Using the SlurryPro Sliding Base instead of a fixed base has eliminated high risk manual handling and reduced downtime by 50%.**



## Tarmac Shawell, Leicestershire



SlurryPro originated from a firm belief that your slurry pump experience could and should be better. In response to industry feedback and frustration with service and response times, SlurryPro introduced a customer-centric focus and revolutionised the end-user experience.

Tarmac Shawell are just one of many customers who have benefitted from SlurryPro. Here we look at three examples where SlurryPro pumps have been installed on the Leicestershire site and why you should choose SlurryPro as your slurry pump manufacturer of choice.

Our first contact with Tarmac Shawell came in 2017 when we were informed that one of two 8" centrifugal pumps had ceased working at the site. Replacement parts for this particular pump were only available on long lead times and therefore to ensure production could continue, the site hired a pump while a new pump was procured. A direct replacement pump was available on a 16 week lead time and the site were faced with paying for a new pump and hire bill or moving to a new pumping solution.

Following a site visit we were able to specify and build a SlurryPro 8" pump and have it on site within three weeks. This significantly reduced Shawell's hire bill and gave them a pump which had spares readily available. To avoid this situation on the second 8", we agreed with the site to proactively service the second pump to avoid having to purchase a complete pump again. When we came to fit the parts however, our team found that the pump wasn't worth being refurbished.

The site was faced with two options; either a 15 week lead time for a replacement pump and a large hire bill or find a manufacturer who could supply a replacement pump quickly and with readily available spares. Following the success of the first pump the site was keen to standardise the range and opted for another

new SlurryPro 8x6. Our rapid response saw a built up 8x6 SlurryPro installed and operational in under two weeks avoiding the need to hire a replacement.

More recently four 4x3 SlurryPro pumps have been installed on site after it was found that the sites existing pumps weren't suitable for the job due to shafts and seals continually wearing out. Additionally, the site faced problems with lead times for replacement parts. Crisis point was reached in February 2019 when two of the pumps started to fail at the same time. Atlantic were able to build up two 4x3 pumps with 18.5kW motors in a week to fit in with a maintenance day and avoid more costly downtime. We completed a total of four 4x3 pumps in two weeks on this project.

By choosing SlurryPro, Tarmac Shawell now benefits from pumps that have superior wear life, reduced lifetime costs and ease of ongoing maintenance. Tarmac Shawell along with others who have chosen SlurryPro also benefit from the fastest quoting and delivery times in the industry thanks to parts being readily available, many with same day dispatch. Furthermore our clients are supported by an experienced team of staff and engineers who are able to provide rapid assistance.

**“ Our rapid response saw a built up 8x6 SlurryPro installed and operational in under two weeks avoiding the need to hire a replacement.**

## Viridor Recycling & Renewable Energy Centre



The Viridor Recycling & Renewable Energy Centre in Glasgow is a flag-ship AD plant. This £154m site had four rotatory lobe pumps handling the food waste produced by this large conurbation. The suitability of the pumps to the application and reasonable purchase price made them attractive to the site operators.

However, one aspect of these pumps became a major disadvantage. The digestate is very gritty and therefore an abrasive material to transport. This meant the internal lobes and casing eroded rapidly, which led to a rapid reduction in efficiency. This meant the lobes had to be replaced regularly, and as these are very expensive, this became a major headache for the site operators.

The reduction in efficiency meant that the promised energy saving did not materialise. Additionally, the pumps, which are essential to the running of the plant, were out of action during the replacement process. This led to significant downtime for the plant, and all the costs and lost production this brings. As you can see, the attractiveness of apparent high efficiency and reasonable purchase price had now been eclipsed by unreasonable operating costs and downtime.

The site contacted Atlantic Pumps, specialists in pumps for abrasive applications. Atlantic recommended SlurryPro centrifugal slurry pumps.

**Right:** how improved running costs can outweigh the higher purchase price and the apparently lower efficiencies of a centrifugal slurry pump.

These have a higher initial purchase price and cannot offer such high efficiencies as the lobe pumps. However, by specifying pumps with high-chrome wear parts, an open 2- vane impeller and a double mechanical seal, Atlantic were able to produce a solution where the pumps can happily handle the abrasive fluids for long periods of time with very little erosion to the working parts of the pump.

The site now has four 6x4 SlurryPro pumps installed in replacement to the lobe pumps. After many months of constant operation, the pumps are still happily providing the required adequate pressure and flow. More importantly, the internal wear parts are still in good condition. This means there has been a dramatic reduction in both downtime and in the cost of spares. In fact, the investment in these new pumps has already paid for itself.

Having reliable pumps working constantly has improved the running of the whole plant; for example, the pipes no longer seize up like they used to do when the pumps needed switching off regularly. See below how improved running costs can outweigh the higher purchase price and the apparently lower efficiencies of a centrifugal slurry pump:

	Lobe Pump	Centrifugal Slurry Pump
Initial purchase price	£20,000	£30,000
Energy costs (per year) - rated	£25,000	£50,000
Energy costs (per year) - actual	£50,000	£50,000
Spare parts (per year)	£50,000	£5,000
Cost of downtime (£1,000/day)	£20,000	£2,000
Total pumping costs first year	£140,000	£87,000
Total pumping costs subsequent years	£120,000	£57,000

# Cymru Industrial Supplies Ltd (for Tata Steel)



Cymru Industrial Supplies Ltd are one of the pump suppliers to Tata Steel at Port Talbot. Tata is Europe's second largest steel producer, with steelmaking in the UK and Netherlands, and manufacturing plants across Europe.

When a pump failed on the Port Talbot site at the start of November, Cymru contacted the original pump manufacturer who quoted a lead time of ten weeks. Cymru needed to source a replacement pump that day and have it operational quickly, to avoid costly issues (calculated at over £200,000) related to the pumping of dirty slurry in the manufacturing process.

Cymru Industrial Supplies found Atlantic Pumps online. They had seen from our website that we stocked new and refurbished pumps; a conversation with our sales team led them to become interested in - and go on to purchase - a new SlurryPro 4x3 slurry pump.

The order was placed in the morning and the pump was delivered to the Port Talbot site the very same day from our large, well-stocked Sheffield warehouse. The pump arrived on time at 2 o'clock and was being installed by 3 o'clock. Cymru Industrial Supplies were very satisfied with Atlantic's involvement and have since gone on to purchase a backup SlurryPro 4x3 from us.

This wasn't the first time Atlantic Pumps have been called upon to supply a suitable pump to a site at very short notice; it's something our knowledgeable, trained staff handle comfortably on a regular basis.

“

*When downtime can cost into the tens of thousands of pounds an hour and fines can potentially cost hundreds of thousands of pounds, having a supplier who stocks and supplies pumps and parts on very short lead times is a necessity to all. This, combined with our ability to supply quotes within the hour and our desire to help clients save money are just some of the reasons many are now turning to Atlantic Pumps as their chosen pump supplier.*

Atlantic Pumps Sales Representative

# SlurryPro Pumps Chosen for CEMEX UK Dredger



A new multi-million pound marine aggregates dredger has been launched which features two built-up SlurryPro 6x4 centrifugal pumps.

The CEMEX UK marine dredger called 'CEMEX Go Innovation', was built by the Dutch defence, shipbuilding, and engineering conglomerate Damen Shipyards Group and was delivered in the summer of 2019.

The vessel is the first in the next generation of environmentally designed dredgers and is designed to extract sand and gravel from the seabed up to depths of 55 metres, including in the challenging conditions experienced in the North Sea.

An agreement for the pumps to be included on the dredger was struck thanks to a pre-existing partnership between the Dutch company Bakker and Co. and Atlantic Pumps who manufacturer SlurryPro.

Talking about the inclusion of the pumps on the Dredger, Atlantic Pumps Managing Director Andrew Smith said "As CEMEX's key pump partner in the UK it is fantastic to have been able to be part of one their largest investments of recent years. It is a demonstration of the benefits of our global reach and being able to support their ongoing needs – ensuring minimal downtime with our rapid spares backup".

SlurryPro pumps can be found on a number of dredgers in the UK including the Southampton-based vessel 'Clarissa' which is owned by Aggregate Industries and on a vessel owned by CEMEX UK Marine - also based in Southampton.

“

*Damen were particularly taken with the wear life achieved by SlurryPro pumps and the fact that Atlantic Pumps are the preferred pump supplier to CEMEX in the UK.*

*Previous experience of supplying pumps to dredgers in the same application in the UK also allowed us to guide Damen in their choosing of the pumps.*

Atlantic Pumps Sales Representative

# Minera de Órgiva



Minera de Órgiva is the current operator of the mining concession “Lújar No. 30,411” located in the town of Órgiva, Granada. It extracts fluorite (trade name fluorspar), which is considered a priority raw material mineral according to the Royal Decree 647/2002.

Minera de Órgiva are an existing client of Atlantic Pumps and contacted them regarding the availability of nine slurry pumps. Quick delivery and price were key for the operator who had also contacted two other companies with regards to supplying the pumps. Atlantic Pumps put Minera de Órgiva in touch with their European partners, Cramix.

The Spanish-based distributor worked with Minera de Órgiva to ascertain the clients exact requirements before relaying this information back to Atlantic in the UK with it being decided that the operator would be best served by nine SlurryPro 2x1.5” pumps.

Atlantic’s large onsite stocks meant that the pumps were available for immediate dispatch. This availability coupled with their rapid delivery time once again set them apart from their rivals with Minera de Órgiva choosing to place their order with Atlantic Pumps.

The operator took delivery of the nine SlurryPro 2x1.5” pumps within a couple of days - a time which other suppliers couldn’t get near. Installation of the pumps was undertaken by engineers at Minera de Órgiva and at the time of writing there have been no problems with any of the nine pumps.

“

**We are really pleased to see the established global SlurryPro brand developing in new markets, and our growing network of distributors are allowing us to combine the same quality and service associated with SlurryPro with on-the-ground presence in an increasing number of countries.**

Bill Noakes, Marketing Manager, Atlantic Pumps

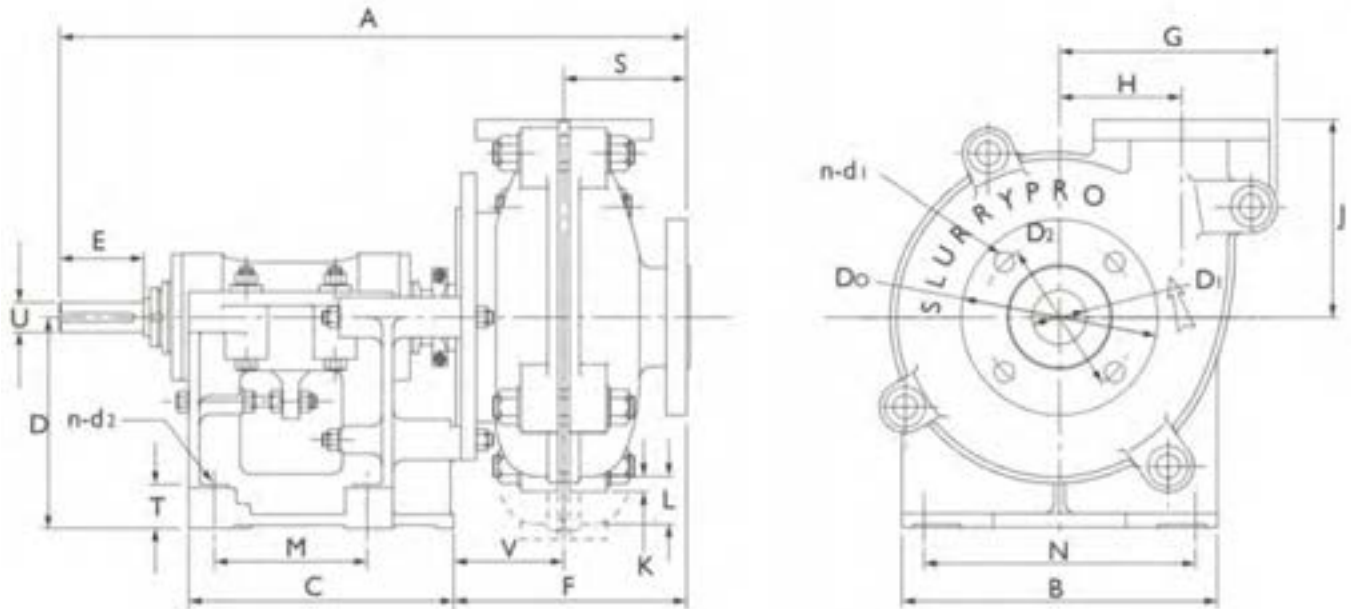
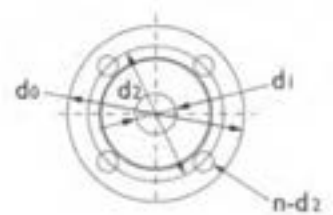
---

*Cramix are one of several companies to have signed an agreement with Atlantic Pumps to distribute SlurryPro and Audex pumps along with Gromatex hosing in Europe. For details of your regional European distributor contact Atlantic Pumps on +44 (0)114 229 3144 or email [info@atlanticpumps.co.uk](mailto:info@atlanticpumps.co.uk)*

# Dimensions

## Tolerances

Dimensional:  $\pm 5$  mm  
 Between axes:  $\pm 4$  mm  
 Between axes in Holes:  $\pm 1$  mm



Type	Frame	A	B	C	D	U	E	F	G	H	J	K	L	M
SS1x1.5	05	583	295	248	197	28	79	206	181	98	171	46	—	143
SS2x1.5	05	592	295	248	197	28	79	217	205	114	184	33	—	143
SS3x2	10	768	406	311	254	42	121	281	238	138	210	71	—	175
SS4x3	10	843	406	311	254	42	121	354	292	149	262	24	—	175
SS4x3	20	943	492	364	330	65	164	353	292	149	262	100	—	213
SS6x4	20	1021	492	364	330	65	164	421	406	229	338	11	—	213
SS6x4	30	1178	622	448	457	80	222	433	406	229	338	138	—	257
SS8x6	30	1302	622	448	457	80	222	557	551	318	460	—	62	257
SS8x6	45	1507	857	635	610	100	279	539	551	318	460	90	—	—
SL10x8	30	1337	662	448	457	80	222	585	613	381	470	—	83	257
SL12x10	45	1546	857	635	610	100	279	—	696	438	470	—	—	349

Type	N	V	T	S	n-d	Suction Flange				Discharge Flange				Pump Weight (kg)	
						D0	D1	D2	n-d1	d0	d1	d2	n-d2	Metal	Rubber
SS1x1.5	254	181	38	106	4-φ14	152	38	114	4-φ16	165	25	127	4-φ16	87	77
SS2x1.5	254	184	38	114	4-φ14	184	51	146	4-φ19	165	38	127	4-φ19	157	118
SS3x2	356	233	48	151	4-φ19	216	76	178	4-φ19	184	51	146	4-φ19	198	154
SS4x3	356	270	48	187	4-φ19	279	102	235	4-φ22	229	76	191	4-φ22	250	236
SS4x3	432	279	64	187	4-φ22	279	102	235	4-φ22	229	76	191	4-φ22	318	290
SS6x4	432	318	64	219	4-φ22	337	152	292	8-φ22	279	102	235	8-φ22	670	454
SS6x4	546	351	76	219	4-φ29	337	152	292	4-φ22	279	102	235	4-φ22	886	635
SS8x6	546	402	76	292	4-φ29	406	203	356	8-φ22	368	152	324	8-φ21	1500	984
SS8x6	—	247	—	292	4-φ29	406	203	356	8-φ22	368	152	324	8-φ21	1818	1393
SL10x8	546	—	76	54	4-φ29	502	254	445	8-φ29	432	203	375	8-φ29	1625	1202
SL12x10	762	—	—	330	4-φ29	555	305	495	8-φ32	487	254	424	8-φ32	2600	1950

# Pump Register

The Intrax Pump Register is a industry-leading online asset management tool that helps oversee your pumps, allowing you to maintain the highest level of service.

As you may be aware, one of our key promises to our clients is that we aim to quote requirements within 30 minutes of the initial contact, then offer the fastest possible delivery time to minimise downtime.

We've been identifying the times we miss this, and generally we find it is because there isn't the details available to the Site Manager regarding the pump that is being replaced or has gone down. The details may not be visible on the pump or the pump may have been running for years so details are no longer stored. This leads to the site having to wait for our engineers to arrive on site, then quote, and the delay causes costly downtime. To avoid this problem we have launched the Pump Register.

## What is the Pump Register?

The Pump Register is an online tool upon which we record all the details of the pumps on your sites, including make, model, head, flow, application, general notes and a photo. We visit your sites, register all the pumps for you, add a serial number and all completely free of charge, even making any recommendations for improvements too!

## The benefits of the Pump Register

- Massively speeds up quoting and hence delivery time if you have a pump that goes down.
- Helps identify details when new spares are required.
- Service reminders can be set up if needed.
- Varying levels of access depending on number of sites covered.
- The Register is also a portal where users can log in to and add their own pumps. The user can see the pumps they already have and, particularly on ready mix sites the register will help to standardize the pumps, which results in simpler maintenance and better pricing.

# Contact SlurryPro

Unit 21 Prospect House, Colliery Close, Staveley,  
Chesterfield, United Kingdom, S43 3QE

**W:** [slurrypro.com](http://slurrypro.com)

**E:** [info@intraxglobal.com](mailto:info@intraxglobal.com)

**T:** +44 (0)1246 284 420

# Pump Monitor

The Intrax Pump Monitor (IPM) is an asset management and condition monitoring tool that allows you to make the most efficient use of your pumping assets, reduce downtime and save on running costs.

The IPM is fitted to your owned or hired pumps and automatically feeds real-time information to an online register. Unlike similar products available, the IPM requires no manual input of data or visits by engineers to download information. It is very small and is fitted within existing hardware meaning it will not be interfered with and there is no temptation to move it. It will also last as long as the pump being monitored with zero maintenance required.

Most SlurryPro and Audex pumps can now be supplied with an IPM fitted free of charge. The IPM can also be retro-fitted to existing pumps regardless of manufacturer and added to the register. Set up of this is completed by our onsite engineering team and involves no disruption to the running of pumps and plant.

## How does the Intrax Pump Monitor work?

The IPM is a very small device which can be mounted in the control panel or on the pump, which takes regular electrical current measurements. This is a vast improvement on monitoring vibration given that it is proven to be significantly more accurate and less susceptible to interference. It stores these for several months as well as sending the current ones via an 868 MHz radio link to the cloud. The Intrax Pump Register then pulls the information it needs from the cloud and displays the key details such as run time and power usage. The monitor is self-sustaining, with no batteries or maintenance required – in contrast to most other monitoring devices.

## The benefits of the Pump Monitor

- No input required from site – your assets are tracked for you. Assets can be tracked and monitored from anywhere in the world via a secure online login
- Visibility of assets leads to better utilisation and reduction in waste. Lower pump costs through better specification
- Lower running costs through improved efficiency
- Better lead times due to accurate information being stored and instantly available
- Reduces downtime

**A BETTER  
SLURRY PUMP EXPERIENCE**

**SLURRYPRO<sup>®</sup>**

---

